

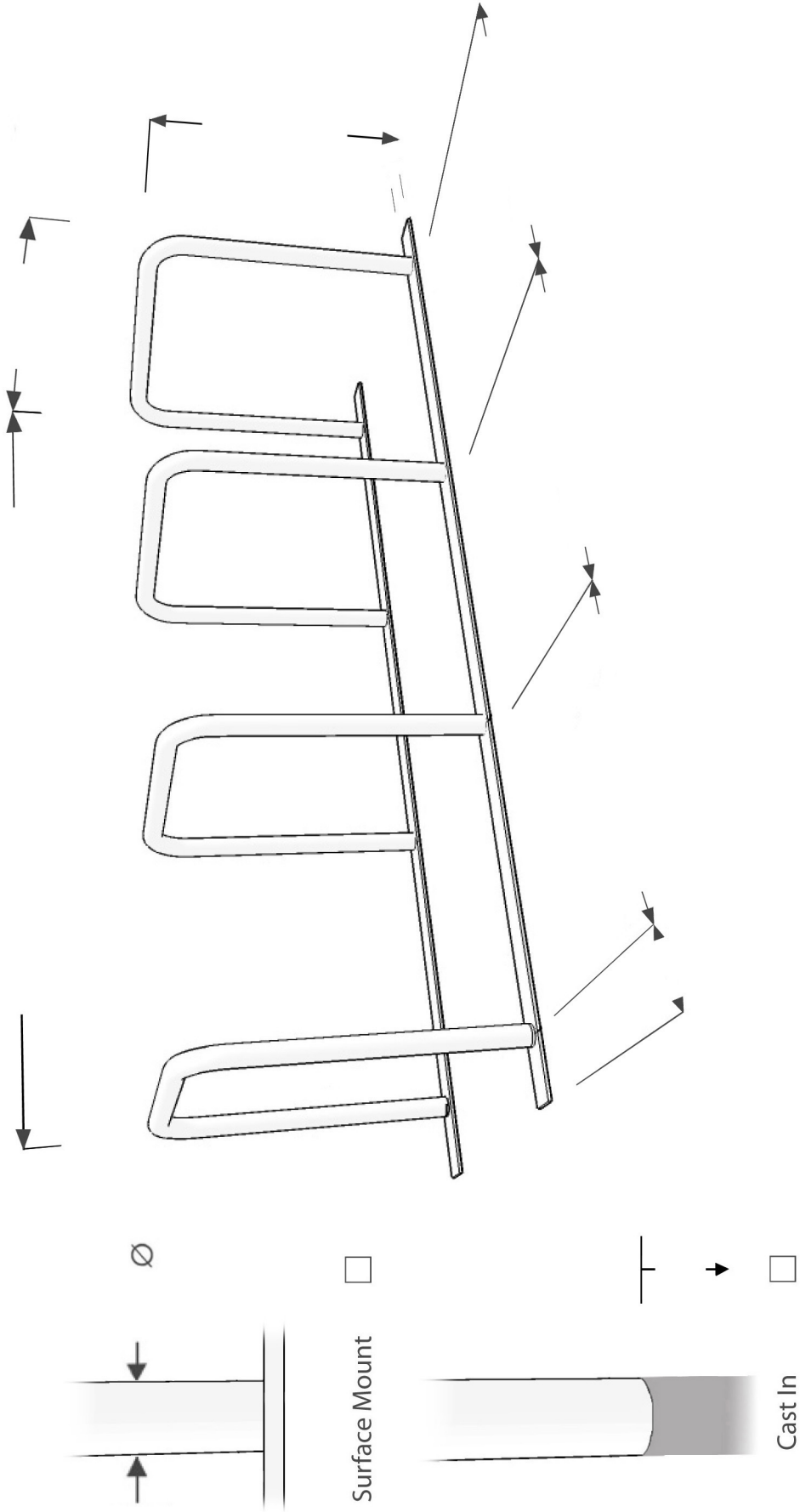


Brackets and Bolts/ Bespoke Designer

Email: sales@bracketsandbolts.com  
Fax: 01 206 793200  
Tel: 01 206 793100

Multiple Hoop Cycle Stand

All Dimensions in Millimeters



Bespoke Designer Request Form

Customer Information

Name:

Fax:

Company:

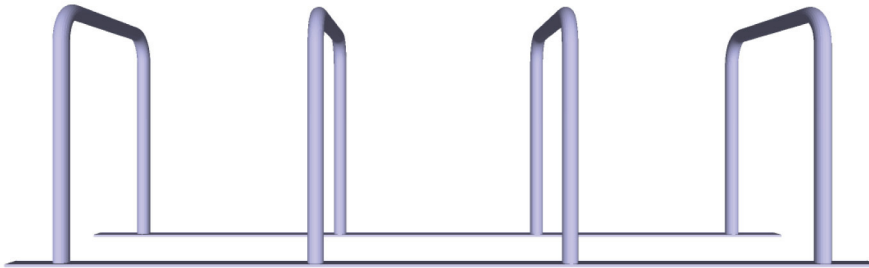
Email:

Site/ Ref:

Order To Place:  Tender:

Tel:

Required By (Date):



Product: Multiple Hoop Cycle Stand  
Please add measurements to page 1

Please add any other useful Information:

Quantity:

Material Selection:

Mild Steel: No Finish  Primed  Galvanised  Powder Coated

Stainless Steel: (304)  (316)  Aluminium: