

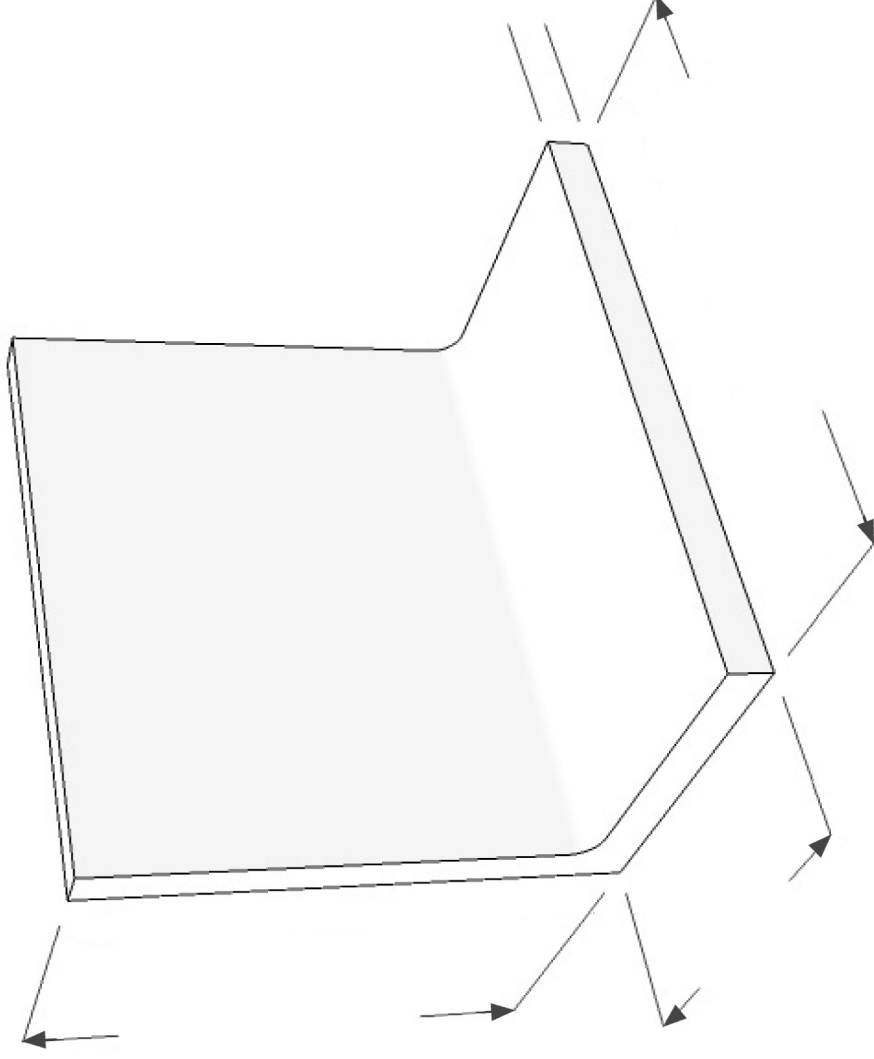


Email: sales@bracketsandbolts.com
Fax: 01 206 793200
Tel: 01 206 793100

Brackets and Bolts/ Bespoke Designer

Unequal Angle

All Dimensions in Millimeters



Bespoke Designer Request Form

Customer Information

Name:

Fax:

Company:

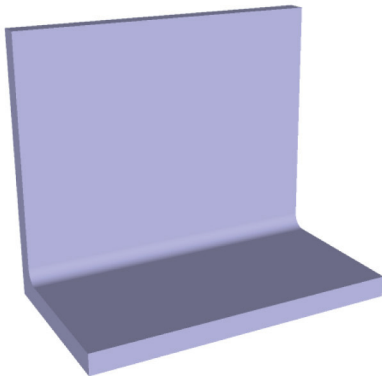
Email:

Site/ Ref:

Order To Place: Tender:

Tel:

Required By (Date):



Product: Unequal Angle
Please add measurements to page 1

Please add any other useful Information:

Quantity:

Material Selection:

Mild Steel: No Finish Primed Galvanised Powder Coated

Stainless Steel: (304) (316) Aluminium: